

# **PEKO**

## **Drying Cabinet**

**Installation and Operating Manual**



**Model:-  
ETS-1500**

## CONTENTS

- ABOUT THE USER MANUAL Page 2
- IDENTIFICATION DATA PLATE Page 2
- IMPORTANT SAFETY INSTRUCTIONS Page 3
- INSTALLATION INSTRUCTIONS Page 4
- OPERATING INSTRUCTIONS Page 9
- CARE AND MAINTENANCE Page 13
- TROUBLE SHOOTING AND SERVICE Page 14
- TECHNICAL DATA Page 15

## ABOUT THE OPERATING MANUAL

This manual describes the cabinets functions and operation and includes instructions for installation and maintenance.

PEKO Equipment Limited reserve the right to make improvements and/or changes to the cabinet and to the contents of this manual:

Origination: 01/2008

Revised 05/11: UK version

Peko Equipment Limited  
Peko House  
Northbridge Road  
Berkhamsted  
Herts. HP4 1GE

tel: 01442 872323

fax: 01442 866900

[www.peko.co.uk](http://www.peko.co.uk)

## DATA PLATE DETAILS



Located inside the cabinet  
on the left hand side panel

### Your Reference

Date of purchase:  
\_\_\_\_\_

Serial number:  
\_\_\_\_\_

# IMPORTANT SAFETY INSTRUCTIONS

## IMPORTANT

These instructions and warnings have been provided to help avoid misuse and unnecessary risks and should be read before the cabinet is installed and used.

*NOTE: Keep this manual in a safe place so that it is always available for future use.*

## WARNING

To reduce the risk of fire, electric shock, or injury to the person when using the appliance, follow basic precautions including the following:

- Read all the instructions before using the appliance.
  - Do not dry articles that have been previously cleaned in, washed, soaked or splashed with petrol or other flammable or explosive substances as they give off vapours that could ignite or explode.
  - Do not allow children to play on or in the appliance. Close supervision of children is required whilst the cabinet is in operation.
  - Do not install or store this appliance where it will be exposed to the weather.
  - Do not tamper with the controls.
  - Do not repair or replace any part of the cabinet or attempt any servicing unless specifically referred to in this manual.
  - Do not use fabric softeners or products designed to eliminate static unless recommended by the manufacturer.
  - Do not use heat to dry articles containing foam rubber or similar textured rubberised materials. To dry this type of material use the cabinet with only the fan operating.
  - Keep area around the exhaust opening and adjacent areas free from the accumulation of dust, lint and fluff.
- Check the exhaust ducting terminal grille for any blockages or build-up of lint, and clean regularly.
  - The interior of the appliance and the exhaust duct should be cleaned periodically by a competent person.
  - The manufacturer accepts no liability for repairs carried out:-
    - a) by unauthorised personnel.
    - b) use of non-standard parts.

## WARNING LABELS



Affixed to rear inside panel



Underside of heater cartridge

# INSTALLATION INSTRUCTIONS

## UNPACKING

**WARNING:** The cabinet should be handled and transported with care. The unit is top heavy with the risk of tipping over when positioned on its wooden pallet.

Remove all packaging material. Do not use sharp implements which could damage the cabinet.

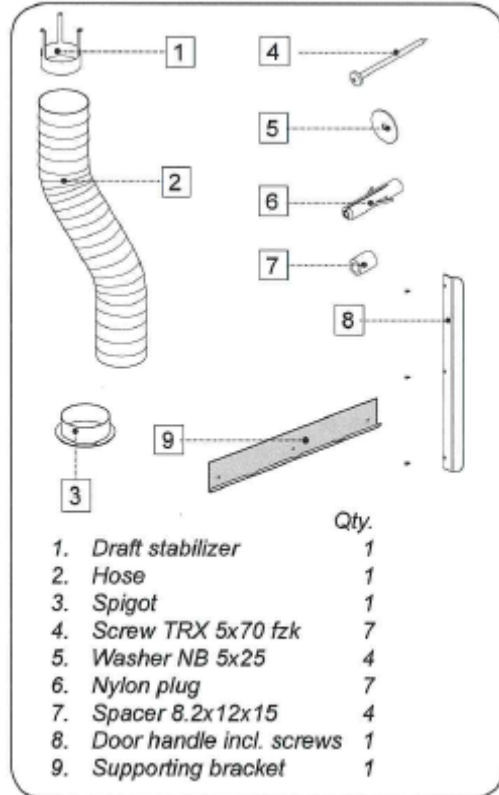
*Check that the goods have not been damaged in transit. Any damage should be recorded on the delivery note and reported to your dealer within 3 days.*

After unpacking, check that the cabinet is in good condition. Any damage or shortages should be immediately reported to the supplier

*Check that all restraining tape and protective polystyrene buffers are removed from inside the cabinet.*

## CONTENTS

The drying cabinet is supplied complete together with a user manual and fixing kit.



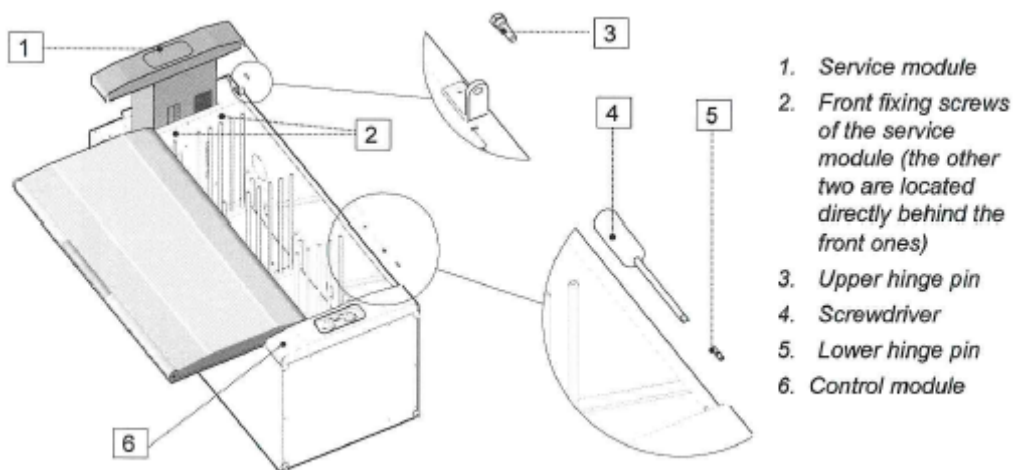
## INSTALLATION INSTRUCTIONS (cont.)

### REVERSING THE DOOR HINGE SIDE

The door is supplied as standard with the hinges to the right hand side. Follow the instructions below to change to left hand side hinge .

1. Place the packaging material on the floor for protection then lay the cabinet down with the door uppermost.
2. Remove the four screws that secure the upper service module (1) and carefully withdraw the unit from the cabinet. The screws (2) can be accessed from the inside top panel of the cabinet.
3. Remove the upper hinge pin (3) and lift off the door.
4. Remove the lower hinge pin (5) with a flat blade screwdriver (4). This can be achieved without removing the lower control module (6).
5. Remove the lower white plastic guide plug on the unused hinge bracket and refit to the opposite side.
6. Refit the lower hinge pin to the opposite side.
7. Reverse the door by turning it through 180°.
8. Refit the the upper hinge pin.
9. Refit the upper control module with the four screws.
10. Remove the pivot pin from the lower hinge and lift off the door.
11. Unscrew the pivot pin from the upper hinge and re-fix to the opposite side.
12. Turn the door upside down and locate into the upper hinge pin; position door on lower hinge bracket and plastic guide, then screw in the lower hinge pin with the washer between the door and bracket.

Note:- With care and assistance, the above procedure can be carried out with the cabinet in the upright position once the unit has been secured to the wall.



## INSTALLATION INSTRUCTIONS (cont.)

### LOCATING AND FIXING THE CABINET

The appliance should not be located in a position such that any doorways or safety exits are impeded with the cabinet door open and the hanging rails extended.

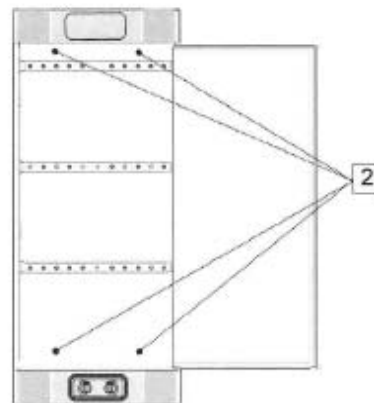
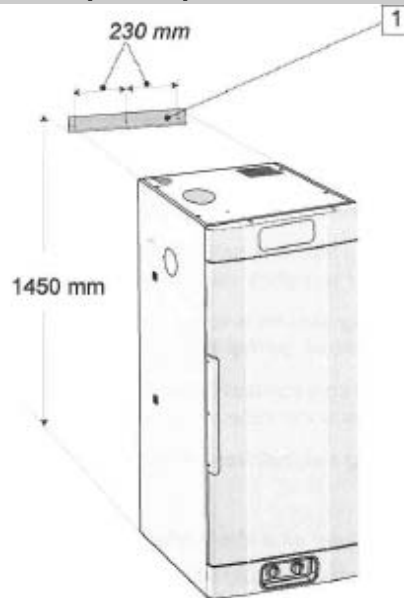
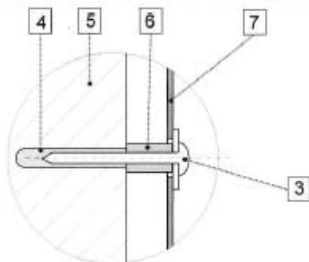
The drying cabinet is only designed for operation indoors in a dry environment at a temperature above freezing point.

The unit should not be installed in areas where high pressure water cleaning is carried out.

The drying cabinet can be conveniently installed above a front loading washing machine, tumble dryer or worktop subject to the ceiling height in the room. A clearance of 5mm. is recommended when installing above a washing machine or tumble dryer to ensure that the cabinet is insulated from any vibrations that may occur when these machines are in operation. This will also ensure that the machines can be removed should any service or repair work be necessary.

The measurement from the underside of the cabinet to the lower edge of the support bracket is 1450mm. Determine the position of the cabinet and ensure that the support bracket (1) is level and securely fixed to the wall.

Assistance is required to lift the cabinet onto the bracket. With the cabinet suspended on the wall it is now possible to open the door and drill through the four locations (2) to fix the cabinet to the wall avoiding any electrical, water or other service pipes or cabling. Drill four 8mm holes through the rear panel into the wall and insert the wall plugs. With the spacers and washers supplied, screw the cabinet back to the wall.



The illustration shows model ETS 1500

1. Supporting bracket
2. Pre-drilled holes
3. Attachment screw with washer
4. Plastic plug
5. Wall behind the drying cabinet
6. Spacer
7. Drying cabinet back wall

# INSTALLATION INSTRUCTIONS (cont.)

## EXHAUST CONNECTION

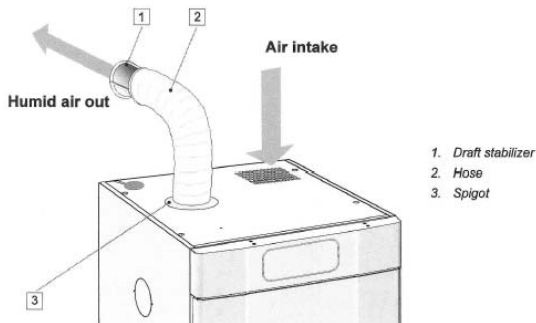
The exhaust ducting for the cabinet can be directed through the top panel or through the left or right hand side panels. Decide which option best suits the installation and if it is to go through a side panel then the partially stamped blanking plate should be removed and the spigot attached

The cabinet can be connected to an exhaust duct in two ways:

### 1. CONNECTION TO AN EXISTING SYSTEM

This method is only suitable for buildings that have an existing mechanical ventilation system, or where the room has a dedicated extraction fan with a capacity of 43m<sup>3</sup> / hour. In both cases the ducting must terminate on an outside wall.

Fit the spigot to the top of the cabinet using the 2 small Torx screws. Fit the white plastic ventilation adaptor over the existing wall or ceiling mounted grille (fixing screws for this 'tripod' type fitting are not supplied), and then connect to the cabinet using the flexible hose. Note: The exhaust ducting fittings supplied are standard 100mm diameter, and any additional hose or fittings required are available from most builders merchants and hardware stores.



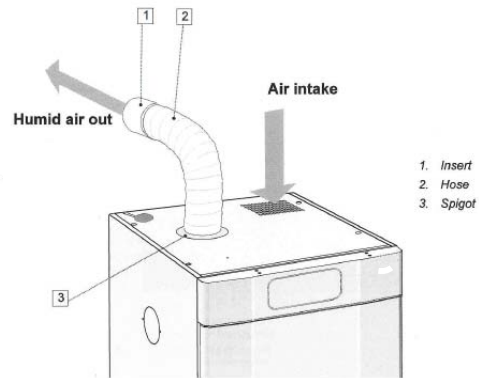
- 1 Ventilation adaptor (for connection to an existing mechanical ducting system only)
- 2 Flexible plastic hose
- 3 Spigot adaptor to cabinet

### 2. DIRECT CONNECTION TO OUTSIDE WALL

*The exhaust ducting should not be connected into an existing chimney, boiler flue or tumble dryer system.*

Fit the plastic spigot to the outlet on top of the cabinet. Core cut a 100mm. diameter hole in the outside wall, or alternatively cut a hole in a fixed pane of window glass. Fit an appropriate terminal grille with a fixed open louvre, preferable one with an integral insect mesh screen. Notes:

- Standard tumble dryer back draught shutters are not suitable.
- The maximum effective length of ducting to outside is 3m.
- Rigid metal and plastic pipe can also be used for the exhaust ducting.
- Ensure that the ducting and terminal grille are cleaned on an annual basis.



The air intake grille must not be covered. Do not use the top of the cabinet as a storage shelf.

## INSTALLATION INSTRUCTIONS (cont.)

### ELECTRICAL CONNECTIONS

The cabinet is supplied ready for connection to the power supply with a UK style three pin plug complete with a 10 A fuse.

The power supply rated at 220- 240volt, 50-60 Hz.  
The power cable is approx. 1.8m in length.

The plug (and socket outlet) should be in an accessible position for ease of removal.

An alternative arrangement could be a high level fused outlet plate with a separate switch conveniently located at a lower level.

The power cord must be long enough to allow for the removal of the upper service module should any repair or maintenance work be required.

If the power cable is damaged in any way, it must be replaced. Replacements are available from your main supplier or dealer.

*If the plug supplied is not suitable for the socket outlet, or if the appliance is to be connected to fixed wiring, it should be cut from the supply cord and disposed of immediately. If the severed plug is introduced into a live socket outlet there is a risk of electric shock.*

NOTE: Should the plug need to be replaced for any reason, the wires in the mains lead are coloured in accordance with the following code:

Green and Yellow:	Earth
Blue:	Neutral
Brown:	Live

The wire coloured green and yellow must be connected to the terminal marked with the letter 'E' or by the earth symbol =, or coloured green and yellow. The wire coloured blue must be connected to the terminal 'N' or coloured black. The wire coloured brown must be connected to the terminal marked 'L' or coloured red. If the fuse incorporated in the plug needs to be changed then it should be replaced with a fuse approved by ASTA to BS1362, rated at 10 A.

**WARNING: This appliance must be earthed.  
If in any doubt consult a competent person.**



# OPERATING INSTRUCTIONS

## GENERAL

### **WARNING**

*To reduce the risk of fire, electric shock, or injury to the person, read the IMPORTANT SAFETY INSTRUCTIONS before operating this appliance.*

## **Model ETS-1500**

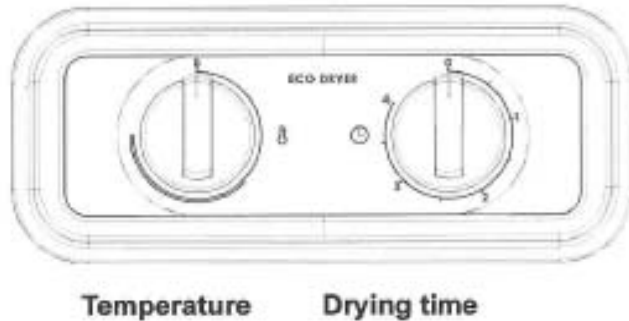
The cabinet contains of three sets of hangers each with 10 rails amounting to an effective hanging length of 16m. They are fixed to an assembly that can be pulled down to a more convenient height for loading. Once loaded the assembly is pushed back into the cabinet with the aid of a counterbalancing weight.

## **LOADING THE CABINET**

- Do not lay items flat on the upper hanging rail section.
- Hang long clothing to the outer walls of the cabinet with shorter items to the centre.
- Hang gloves, scarves, socks and small items on the hanging bars fixed to the inside door panel.
- Do not overload the drying cabinet. The washing will become creased and dry unevenly.
- Leave some space between items, especially through the centre of the cabinet for improved drying efficiency.
- Separate dark and white loads to avoid transferring colours.
- Avoid drying thick clothes at the same time as lighter articles as they hold more moisture and will take longer to dry.
- Delicate and knitted garments should be laid flat on the hanging shelves to avoid creases.

## OPERATING INSTRUCTIONS

### OPERATING CONTROL PANEL



The cabinet is designed with two control switches for ease of use.

The left hand switch controls heat settings. The '0' position circulates ambient temperature air only. Rotating the switch position in a clockwise movement increases the heat input up to a maximum 1.5 kW. The optimum setting is with the control set to the start of the double line sector on the scale for lower energy consumption.

The right hand switch controls the drying time up to a maximum of 4 hours.

## OPERATING INSTRUCTIONS (cont.)

### SETTING THE CONTROLS

- Always follow the washing instructions as shown on the care labels.
- Set the temperature and the time to suit the most delicate articles to be dried.
- Remove garments from the cabinet as they become dry. This will speed up the drying process for the remaining damp items.

### AIRFLOW

The diagram to the right shows the optimum airflow through the cabinet with longer garments positioned on the rails closest to the side panels. Small items hanging on the centre rails will allow the warm air to circulate more efficiently.



## CARE

### CLEANING

The cabinet should be cleaned (inside and out) with a mild detergent and damp cloth. Dust will collect on top of the cabinet, especially around the air intake. This may cause problems leading to machine failure and is also a fire risk. To avoid these problems the top of the cabinet should be vacuum cleaned at least once a year or more frequently depending on the location of the unit and it's application.

*High pressure water jet cleaning should not used on this cabinet. The use of bleach, caustic solutions and abrasive materials is not*

## TROUBLESHOOTING AND SERVICE

### PROBLEM

The fan does not operate and the cabinet not heating:-

*Check that the cabinet is connected to the power supply and that the fuses are intact.*

In the event of further problems please contact your dealer.

### WARNING

Isolate the electrical supply and remove the plug and power cord before withdrawing the service control unit.

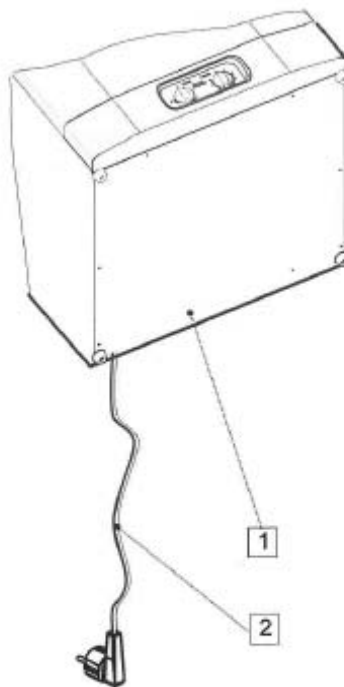
If the power cable is damaged in any way, it must be replaced. Replacements are available from your main supplier or dealer.

**NOTE:** Replacement power cords should only be fitted by a qualified electrician.

NOTE: Should the plug need to be replaced for any reason, the wires in the mains lead are coloured in accordance with the following code:

Green and Yellow:	Earth
Blue:	Neutral
Brown:	Live

The wire coloured green and yellow must be connected to the terminal marked with the letter 'E' or by the earth symbol =, or coloured green and yellow. The wire coloured blue must be connected to the terminal 'N' or coloured black. The wire coloured brown must be connected to the terminal marked 'L' or coloured red. If the fuse incorporated in the plug needs to be replaced then it should be replaced with a fuse approved by ASTA to BS1362, rated at 10 amp.



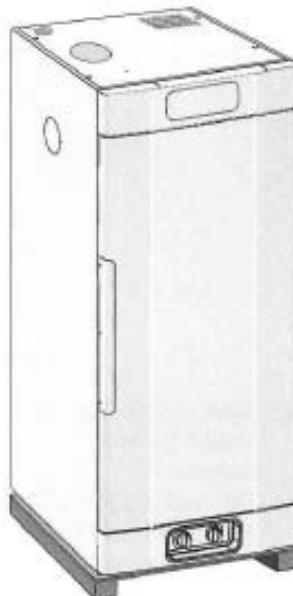
1. The dryer from underneath
2. Fixed flexible connection cord

## TECHNICAL DATA

MANUFACTURING  
APPROVALS  
Class IP 24  
(See data plate for details)

Independently tested and CE marked

**Capacity:** 4kg (approx. wet weight)  
general laundry textiles.  
**Electrical supply:** 230v, 50Hz. a.c.  
**Motor:** 35W.  
**Heating element:** 1500W.  
**Overheat cut-out:** Yes.  
**Timer:** 0 - 4 Hours.  
**Dimensions:** Height. 1435mm.  
Depth. 610mm.  
Width. 595mm.  
**Weight:** 60kg.



## PERFORMANCE SPECIFICATION AND ENERGY CONSUMPTION\*

SETTING	POWER CONSUMPTION	DRYING TIME	TEMPERATURE
Economy	0.5 kW /kg laundry	Approx. 180 min.	30 - 50 deg.C
Fast	0.6 kW /kg laundry	Approx. 90 min.	50 - 70 deg.C

\*Values quoted above are approximations and will vary with type of load and ambient conditions.

**Blank Page**

**Blank Page**

# **PEKO**

EQUIPMENT LIMITED

**Peko House  
Northbridge Road  
Berkhamsted  
Herts.  
HP4 1GE**

**Tel: 01442 872323**

**Fax: 01442 866900**

**[www.peko.co.uk](http://www.peko.co.uk)**